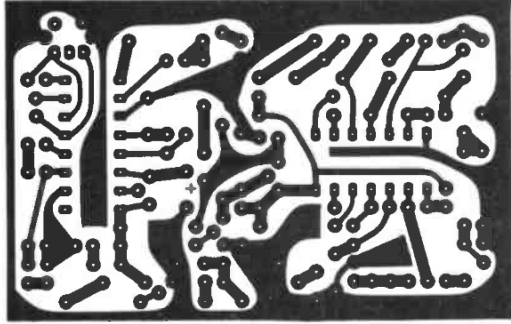


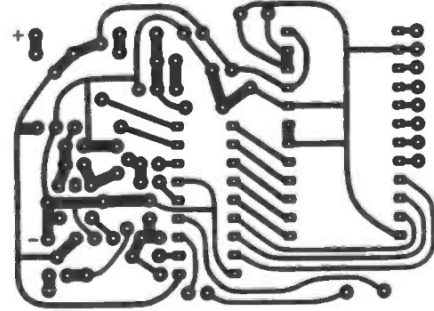
## ELEVEN TO TEN – PCB artwork, component overlays and components list

Here is the supplementary material for our feature on converting your CB transceiver to the 10m amateur band which appeared in the June issue of Ham Radio Today.

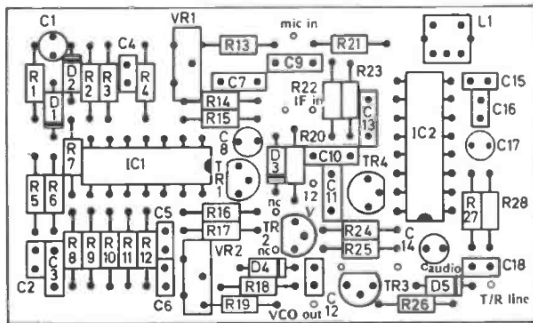
The PCB modules shown here enable the construction of an EPROM programming board and a combined FM modulator and discriminator board.



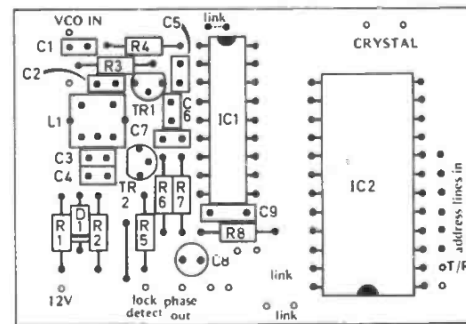
The PCB layout for the FM modulator/discriminator board.



The PCB layout for the EPROM programming board.



Modulator/discriminator overlay



EPROM board overlay

COMPONENTS LIST		COMPONENTS LIST		COMPONENTS LIST					
Modulator/Discriminator board	R22	4k7	C17	1/35V	R8	1k			
R1	1k2	R23	100k	C18	1n	C1	22p		
R2	1M	R24	680	TR1, 2, 3	BC239	C2	68n		
R3	47k	R25	4k7	TR4	2N3906	C3	82p		
R4	1M	R26	4k7	D1, 2, 3	1N1418	C4	47n		
R5	1k2	R27	100k	D4	ITT210 varicap	C5	47n		
R6	100k	R28	4k7	D5	1N1418	C6	82p		
R7	10k	C1	4u7/63V	IC1	3401	C7	6p8		
R8	220k	C2	470p	IC2	SL6691	C8	1u/35V		
R9	470k	C3	100n	C9		C9	47n		
R10	270k	C4	1n	VR1	1M	TR1	BC239		
R11	470k	C5	47n	VR2	22k	TR2	BC239		
R12	160k	C6	470	L1	455kHz IF transformer	IC1	MC145106P		
R13	220k	C7	100n	COMPONENTS LIST EPROM board				IC2	2516 EPROM
R14	2M2	C8	4u7/63V					D1	5V6 Zener
R15	2M2	C9	47n	R1	100	All enquiries relating to this article should be sent to:  Bill Sparks G8FBX 30 Withycombe Road Penketh Warrington			
R16	1M	C10	47n	R2	470				
R17	820k	C11	100n	R3	1k				
R18	100k	C12	22n	R4	820k				
R19	100k	C13	47n	R5	1k				
R20	680	C14	4u7/63V	R6	1k5				
R21	100k	C15	47n	R7	10k				