

SOCKET PANEL FOR THE KW-2000B

R. G. MARDEN, G3MWF

ONE minor disadvantage of the KW-2000B transceiver is the fact that the extension speaker output, control of external equipment, external T/R switch and keying input are all connected to the transceiver via an international octal (I.O.) plug. This means that all the leads for these accessories have always to be "tied" together and so therefore do the accessories. It would of course be possible to fit the appropriate sockets to a small box with the four leads terminated at an I.O. plug but in the writer's opinion little boxes attached to leads are difficult to keep tidy.

At G3MWF the inconvenience has been overcome by making up a socket panel and this is fixed under the KW remote VFO, Type 4B. If the VFO is not available then the arrangements to be discussed could be incorporated under the power pack.

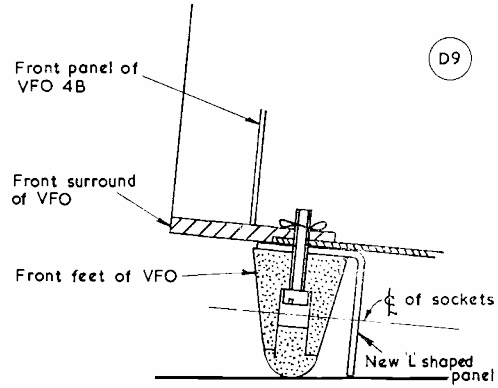


Fig. 2 METHOD OF FIXING TO VFO

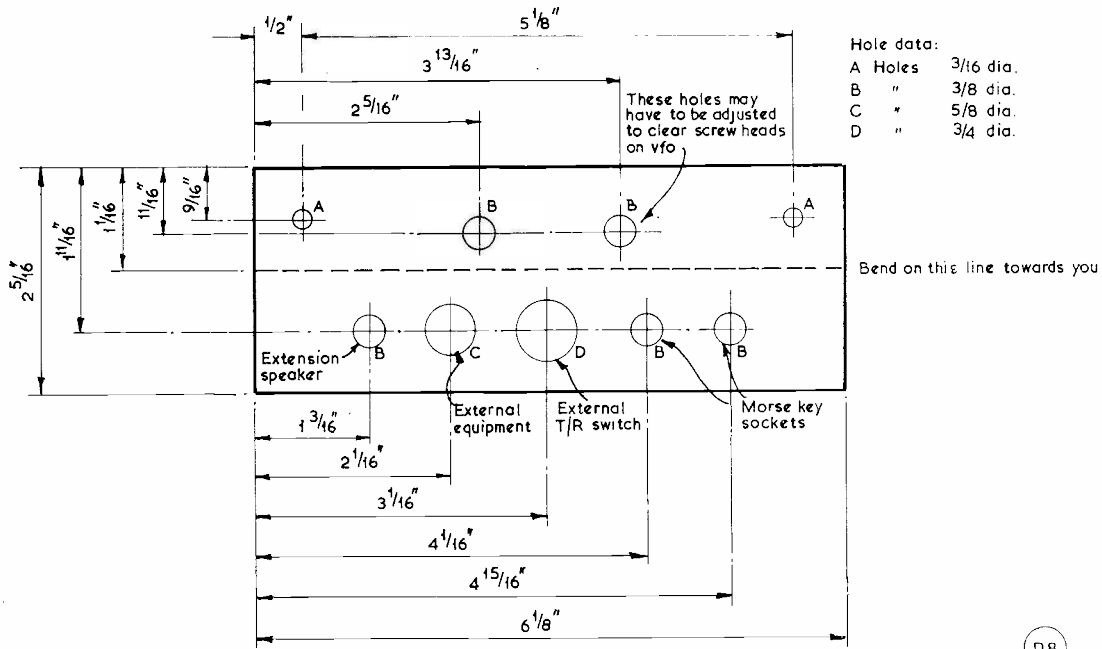


Fig. 1 PUNCHING AND BENDING DETAILS

D8

June issue will appear on Friday, May 27th.

All that is necessary is to punch, drill and bend a piece of duralumin in the manner illustrated in Fig. 1. Fit all the sockets and wire them up, terminating the other ends of the leads to an I.O. plug. With the VFO right next to the 2000B, 24in. leads are ample. The sockets, from left to right, are an 0.25in. diameter jack for speaker, a pin and spade audio socket for external equipment, a Bulgin miniature three pin socket for external T/R and the remaining two 0.25in. diameter jacks (wired in parallel) are for different Morse keys, one a squeeze keyer and the other straight. Naturally if other sockets are used to suit individual taste the holes and spacing may have to be changed.

The front feet should now be removed from the VFO and the "L" shaped panel complete with its sockets should be fitted to the underside of the VFO, using the VFO feet and their screws to hold it in place. Fig. 2 should make the method of fixing clear. The circuit diagrams, Fig. 3, indicated the I.O. numbering employed on the KW-2000B.

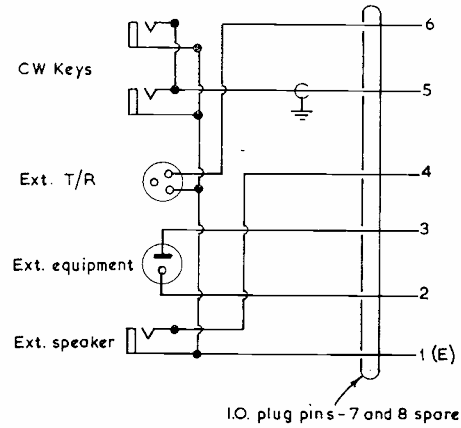
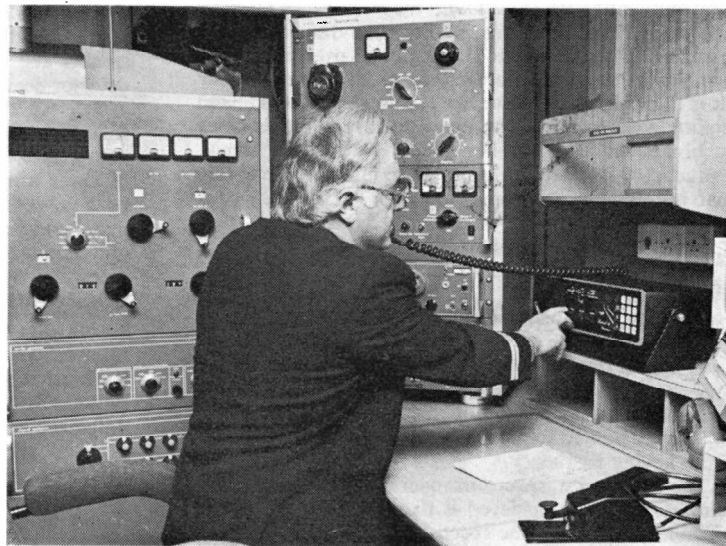


Fig. 3 WIRING DIAGRAM



The radio station of one of the two largest salvage tugs in the world: the equipment in these tugs (S.A. Wolraad Woltemade and S.A. John Ross of the South African Marine Corporation Ltd.) is provided by Redifon Telecommunications Ltd. and consists of an RMT-1500S marine synthesised SSB transmitter covering all MF, IF and HF marine bands between 400 kHz and 26 MHz; reserve Tx is the G474. Main receivers are the R551 and R554 SSB/DSB gear, with unbroken coverage from 15 kHz to 30 MHz. Also fitted is an Omega Navigator receiver which gives continuous indications of position world-wide to within 1-2 nautical miles; radiotelephones are the Sealand 30, Sealand 66, and GR477 IF/HF with 400 watts p.e.p. on SSB.



1977 MOBILE RALLY SEASON—Update

This list is in addition to the information published in the March issue. **May 21**, BARTG Convention, Village Hall, Meopham, Kent, lectures by G3PLX and G5BX, trade stands, bring-and-buy stall, members and non-members all welcome. **May 22**, Northern Mobile Rally, The Victoria Park Hall, Keighley, talks-in on 2m. SSB 144.25, 2m. FM S22, 70 cm. FM 433.20, trade stands etc. **May 29**, East Suffolk Wireless Revival, Civil Service Sports Ground, Bucklesham, Ipswich (near Suffolk Show Ground), VHF/UHF antenna gain measurement competition and beam test facility, static 2m. DF hunt, SSTV and RTTY demonstrations, 2m. talk-in using GB3PO (R3), S22, SU8, 144.28 SSB, 70.26 AM, trade stands etc. **June 5**, Maidstone YMCA ARS, "Y" Sportscentre, talks-in on 160m. (G3TRF), 80m.

(G4DUT), 2m. (G3YSC). **June 12**, Elvaston Castle Rally, near Derby, information from G4CTZ, QTHR. **June 12**, Longleat Radio Rally, Longleat House, Longleat, Warminster, Wilts. **June 19**, Royal Naval ARS, HMS *Mercury* (situated between Clanfield and East Meon, Hants.). **August 14**, Derby Mobile Rally, Lower Bemrose School, Derby. **September 18**, Peterborough Mobile Rally, Walton Secondary School, Mountsteven Avenue, Peterborough, talk-in station G3DQW on 2m. **June 25**, Exhibition Station G3NQX/A, Kendal Grammar School Fete, Kendal, Cumbria, 10-160m. SSB.

CORRECTION

In the article on "Lecher Lines" in the April issue, the formula at the top of the second column on page 96 should be 15,000/cm. = MHz.