

REVISIONS

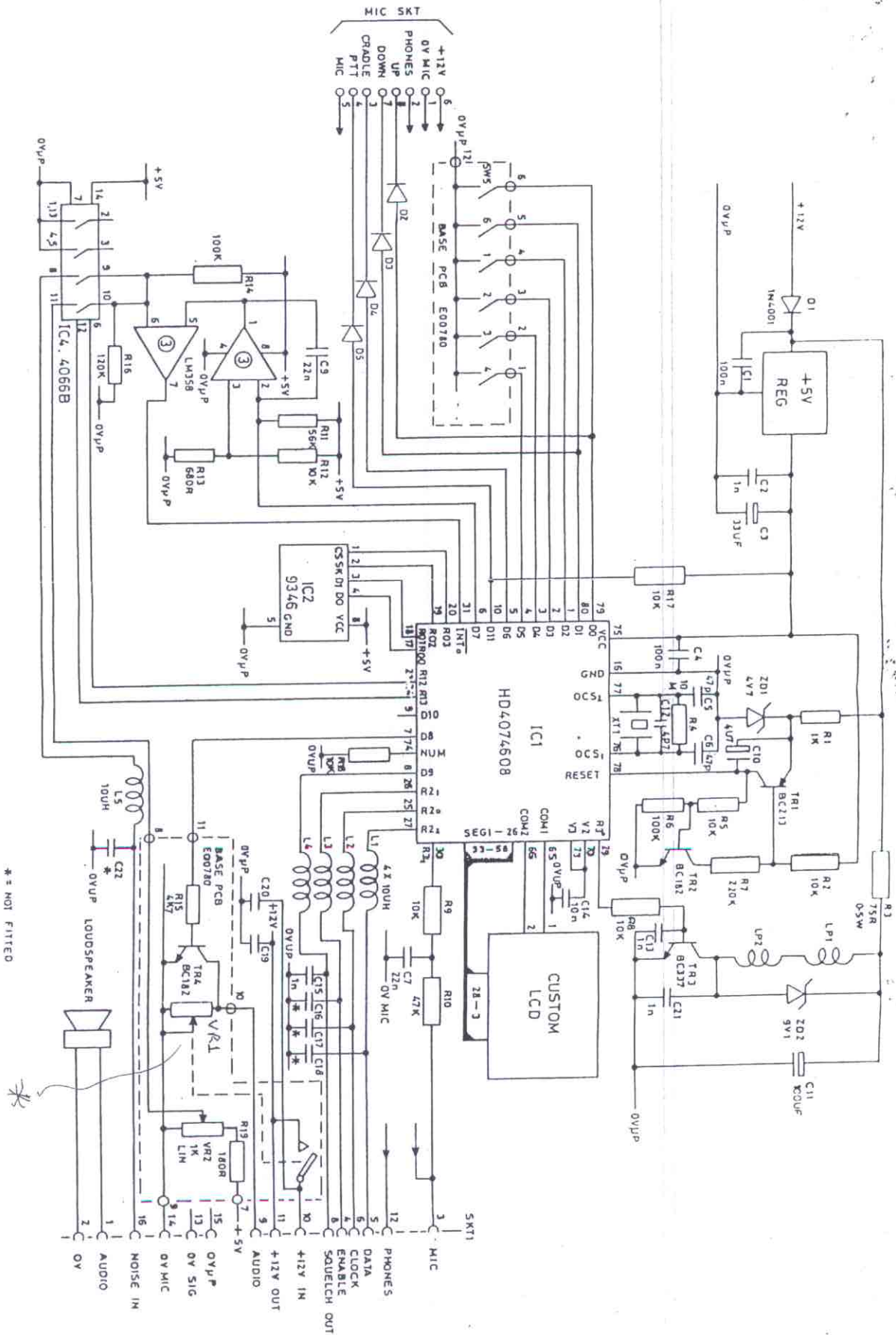
No.	DESCRIPTION	CHK'D	APP'D	DATE

AMR1000/S BLOCK DIAGRAM

DRAWING No. E00908

DRAWING	TRACKED	CHECKED	APPROVED	DATE	SCALE
				20-10-08	

DRG No.



** = NOT FITTED

No.		DESCRIPTION		CHK D	APP D	DATE
REVISIONS						
AR1000 / AR1000S CONTROL CIRCUIT DIAGRAM						
DRAWN	TRACED	CHECKED	APPROVED	DATE	SCALE	
R D F				12-12-88		
DRAWING No. E00779						
420-297mm						